

customer \_\_\_\_\_

make/model \_\_\_\_\_

shop \_\_\_\_\_

date received \_\_\_\_\_

date due \_\_\_\_\_

# PAINT ORDER FORM

Customer \_\_\_\_\_

Address \_\_\_\_\_

\_\_\_\_\_

Work phone \_\_\_\_\_

Home phone \_\_\_\_\_

Dealer \_\_\_\_\_

Salesperson \_\_\_\_\_

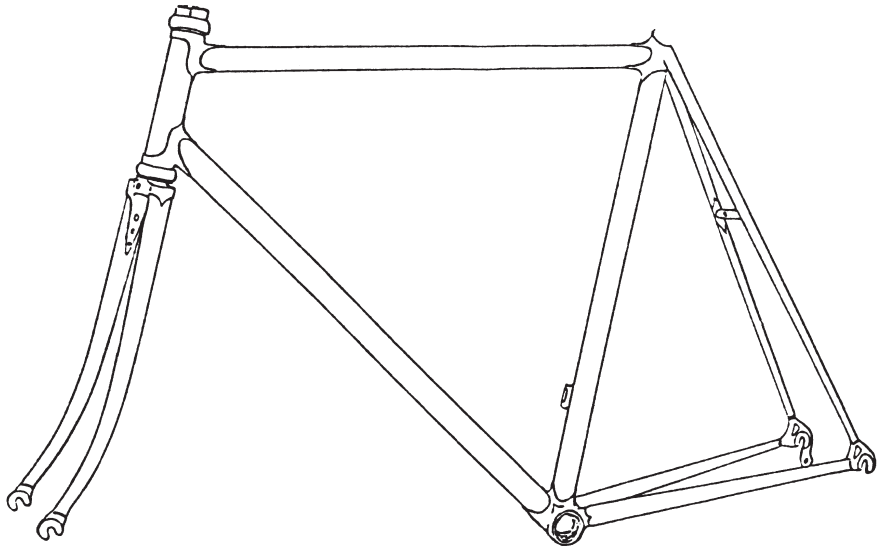
Make/model \_\_\_\_\_

Serial # \_\_\_\_\_

Other parts sent \_\_\_\_\_

\_\_\_\_\_

\_\_\_\_\_



- Frame & fork
- Frame only
- Fork only

## PAINTING

- Signature Finish** \$700 \_\_\_\_\_
- Color \_\_\_\_\_ Imron #: \_\_\_\_\_

### PAINT OPTIONS

- Contrasting Paint:**
- Head tube: color \_\_\_\_\_ Imron #: \_\_\_\_\_ \$100 \_\_\_\_\_
- Seat tube: color \_\_\_\_\_ Imron #: \_\_\_\_\_ \$100 \_\_\_\_\_
- Fork crown: color \_\_\_\_\_ Imron #: \_\_\_\_\_ \$100 \_\_\_\_\_
- Head lugs: color \_\_\_\_\_ Imron #: \_\_\_\_\_ \$200 \_\_\_\_\_

- Custom Mixed Colors**
- Pearl: color \_\_\_\_\_ \$200 \_\_\_\_\_
- Candy: color \_\_\_\_\_ \$200 \_\_\_\_\_
- Flamboyant: color \_\_\_\_\_ \$200 \_\_\_\_\_

- Fade:** from (color) \_\_\_\_\_ to (color) \_\_\_\_\_ \$200 \_\_\_\_\_
- from (Imron #) \_\_\_\_\_ to (Imron #) \_\_\_\_\_
- Additional color \_\_\_\_\_ Imron #: \_\_\_\_\_ \$100 \_\_\_\_\_

- Cut-Out Detailing:** color \_\_\_\_\_ \$75 \_\_\_\_\_

- Lug Lining:** color \_\_\_\_\_ \$250 \_\_\_\_\_

- Decal Installation:** \_\_\_\_\_
- specify decals \_\_\_\_\_

- Painted pump (we supply):**  Silca \$85  Zéfal HPX \$100 \_\_\_\_\_

- Clean, seal, reinstall headbadge** \$50 \_\_\_\_\_

- Touch-up paint** \$20 \_\_\_\_\_

**Other:** \_\_\_\_\_

- \_\_\_\_\_
- \_\_\_\_\_
- \_\_\_\_\_
- \_\_\_\_\_

## MASK EXISTING CHROME

- Front dropout faces** \$25 \_\_\_\_\_
- Rear dropout faces** \$40 \_\_\_\_\_
- Rear dropout faces + right chainstay** \$60 \_\_\_\_\_
- Head lugs (Nervex and other hand-cut lugs extra)** \$100 \_\_\_\_\_
- Front derailleur hanger** \$25 \_\_\_\_\_
- Fork crown** \$60 \_\_\_\_\_
- Seat lug** \$75 \_\_\_\_\_
- Complete rear stays + dropouts** \$75 \_\_\_\_\_
- Other:** \_\_\_\_\_

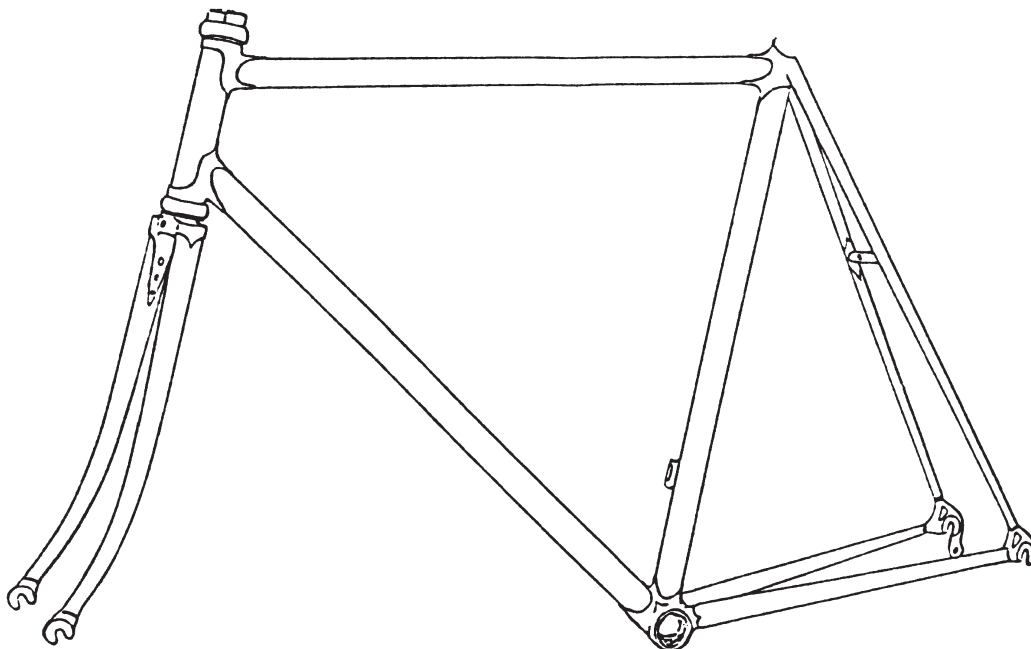
## NEW CHROME

- Front dropout faces** \$200 \_\_\_\_\_
- Rear dropout faces** \$250 \_\_\_\_\_
- Fork crown & front dropout faces** \$350 \_\_\_\_\_
- Complete fork** \$350 \_\_\_\_\_
- Rear dropouts + right chainstay** \$400 \_\_\_\_\_
- Rear dropouts + both chainstays** \$450 \_\_\_\_\_
- Head lugs (both)** \$400 \_\_\_\_\_
- Seat lug** \$200 \_\_\_\_\_
- Front derailleur hanger** \$100 \_\_\_\_\_
- Complete rear stays + rear dropouts** \$500 \_\_\_\_\_
- Other:** \_\_\_\_\_

PAGE 1 SUBTOTAL \_\_\_\_\_



# FRAME REPAIR ORDER



## BRAZE-ONS

- |  |       |       |
|--|-------|-------|
| 1. Water bottle bosses (pair)                      | \$ 65 | _____ |
| 2. Pump peg (ea.) Pump type _____                  | \$ 30 | _____ |
| 3. Top-of-b/b cable guide (front derailleur cable) | \$ 50 | _____ |
| 4. Top-of-b/b cable guide (rear derailleur cable)  | \$ 50 | _____ |
| 5. Plastic under-b/b cable guide (both cables)     | \$ 30 | _____ |
| 6. Chainstay cable stop                            | \$ 30 | _____ |
| 7. Downtube shifter bosses (pair)                  | \$ 65 | _____ |
| 8. Fingertip shifter bosses (pair)                 | \$ 65 | _____ |
| 9. Top tube cable guides (set of three)            | \$ 65 | _____ |
| 10. Top tube cable stops (pair)                    | \$ 65 | _____ |
| 11. Stainless steel internal brake cable guide     | \$175 | _____ |
| 12. Front derailleur boss                          | \$ 65 | _____ |
| 13. Chain hanger peg                               | \$ 30 | _____ |
| 14. Rack dropout eyelets (pair)                    | \$ 75 | _____ |
| 15. Lowrider rack bosses (pair)                    | \$ 75 | _____ |
| 16. Seatstay rack bosses (pair)                    | \$ 75 | _____ |
| 17. Fender-mounting boss (each)                    | \$ 40 | _____ |
| 18. Cantilever brake bosses (pair)                 | \$ 90 | _____ |
| Rim size _____ Brake _____                         |       |       |
| 19. Other: _____                                   |       | _____ |
| _____  |       | _____ |
| _____  |       | _____ |

## REMOVE BRAZE-ONS

20. Stops, guides etc: show location on diagram above \$10/ea. \_\_\_\_\_
- \_\_\_\_\_
- \_\_\_\_\_
- \_\_\_\_\_

## DAMAGE REPAIR

- |  |       |       |
|--|-------|-------|
| <input type="checkbox"/> Main tube replacement (each)      | \$350 | _____ |
| Location _____   |       |       |
| <input type="checkbox"/> Rear dropout replacement (each)   | \$300 | _____ |
| <input type="checkbox"/> Steering column replacement       | \$300 | _____ |
| <input type="checkbox"/> Seatstay replacement (each)       | \$300 | _____ |
| <input type="checkbox"/> Chainstay replacement (each)      | \$300 | _____ |
| <input type="checkbox"/> Brake bridge replacement          | \$250 | _____ |
| <input type="checkbox"/> Other: _____                      |       | _____ |
| <input type="checkbox"/> Frame alignment Hub spacing _____ | \$ 90 | _____ |
| <input type="checkbox"/> Fork alignment                    | \$ 50 | _____ |
| <input type="checkbox"/> Rear hub spacing only             | \$ 60 | _____ |

## RUST & DENTS

- |  |       |       |
|--|-------|-------|
| <input type="checkbox"/> Roll & fill dents (show location) | quote | _____ |
| <input type="checkbox"/> Fill small dings (show location)  | quote | _____ |
| <input type="checkbox"/> Repair rust pits                  | quote | _____ |
| <input type="checkbox"/> Fill head-badge holes             | \$ 40 | _____ |
| <input type="checkbox"/> Internal rust treatment           | \$ 40 | _____ |

## ASSEMBLY PREP

- |  |       |       |
|--|-------|-------|
| <input type="checkbox"/> Install headset                     | \$ 40 | _____ |
| <input type="checkbox"/> Install bottom bracket              | \$ 40 | _____ |
| <input type="checkbox"/> Install headset races and fixed cup | \$ 25 | _____ |

PAGE 2 SUBTOTAL \_\_\_\_\_

PAGE 1 SUBTOTAL \_\_\_\_\_

SHIPPING + INSURANCE \_\_\_\_\_

TOTAL \_\_\_\_\_

LESS DEPOSIT \_\_\_\_\_

BALANCE DUE \_\_\_\_\_