

customer _____

make/model _____

shop _____

date received _____

date due _____

PAINT ORDER FORM

Customer _____

Address _____

Work phone _____

Home phone _____

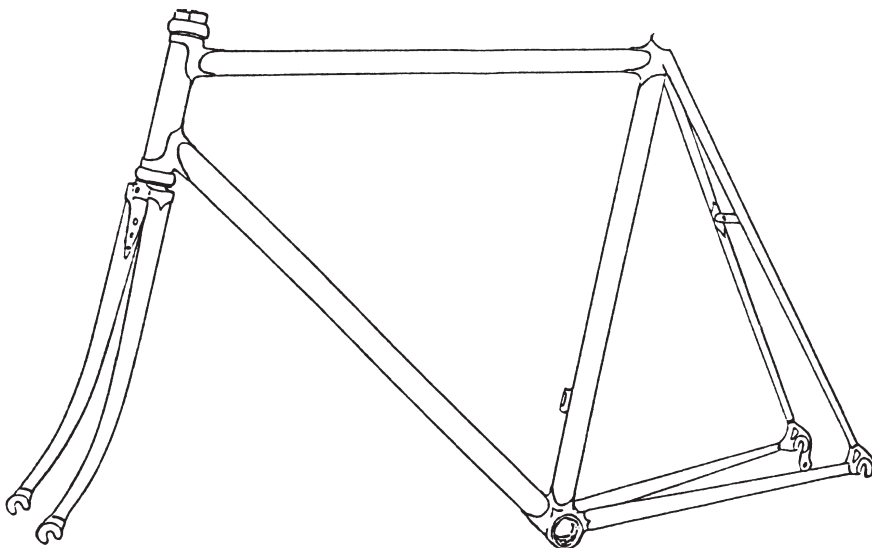
Dealer _____

Salesperson _____

Make/model _____

Serial # _____

Other parts sent _____



- Frame & fork
- Frame only
- Fork only

PAINTING

Signature Finish \$750 _____
 Color _____ Imron #: _____

PAINT OPTIONS

- Contrasting Paint:**
- Head tube: color _____ Imron #: _____ \$100 _____
- Seat tube: color _____ Imron #: _____ \$100 _____
- Fork crown: color _____ Imron #: _____ \$100 _____
- Head lugs: color _____ Imron #: _____ \$200 _____

- Custom Mixed Colors**
- Pearl: color _____ \$200 _____
- Candy: color _____ \$200 _____
- Flamboyant: color _____ \$200 _____

Fade: from (color) _____ to (color) _____ \$200 _____
 from (Imron #) _____ to (Imron #) _____
 Additional color _____ Imron #: _____ \$100 _____

Cut-Out Detailing: color _____ \$75 _____

Lug Lining: color _____ \$250 _____

Decal Installation: _____
specify decals _____

Painted pump (we supply): Silca \$85 Zéfal HPX \$100 _____

Clean, seal, reinstall headbadge \$50 _____

Touch-up paint \$20 _____

Other: _____

MASK EXISTING CHROME

- Front dropout faces** \$25 _____
- Rear dropout faces** \$40 _____
- Rear dropout faces + right chainstay** \$60 _____
- Head lugs (Nervex and other hand-cut lugs extra)** \$100 _____
- Front derailleur hanger** \$25 _____
- Fork crown** \$60 _____
- Seat lug** \$75 _____
- Complete rear stays + dropouts** \$75 _____
- Other:** _____

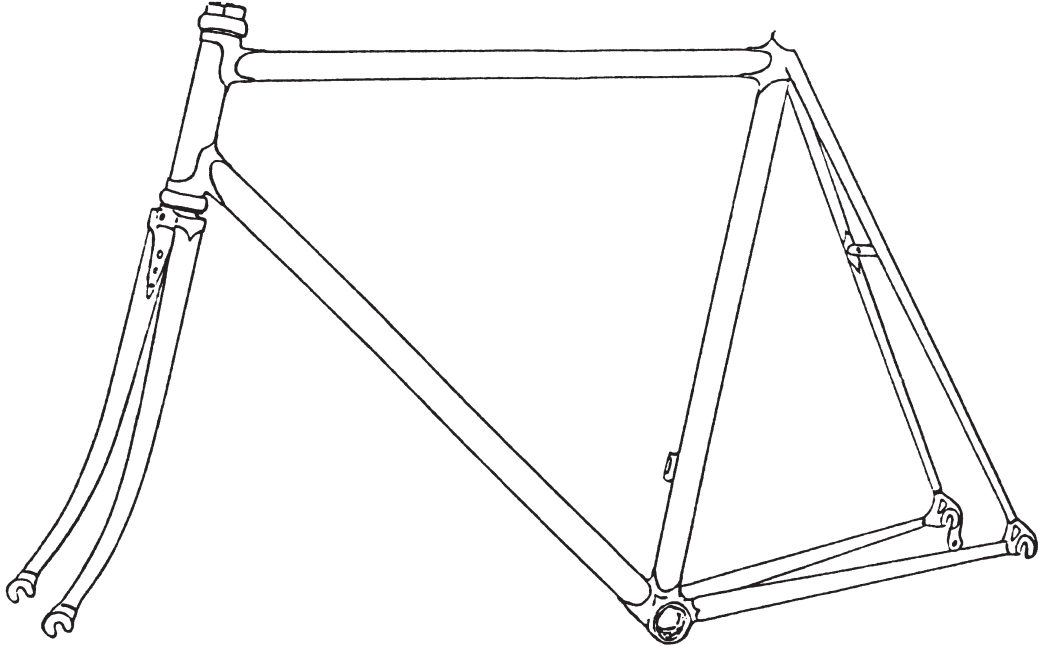
NEW CHROME

- Front dropout faces** \$200 _____
- Rear dropout faces** \$250 _____
- Fork crown & front dropout faces** \$350 _____
- Complete fork** \$350 _____
- Rear dropouts + right chainstay** \$400 _____
- Rear dropouts + both chainstays** \$450 _____
- Head lugs (both)** \$400 _____
- Seat lug** \$200 _____
- Front derailleur hanger** \$100 _____
- Complete rear stays + rear dropouts** \$500 _____
- Other:** _____

PAGE 1 SUBTOTAL _____



FRAME REPAIR ORDER



BRAZE-ONS

- | | | |
|--|-------|-------|
| 1. Water bottle bosses (pair) | \$ 65 | _____ |
| 2. Pump peg (ea.) Pump type _____ | \$ 30 | _____ |
| 3. Top-of-b/b cable guide (front derailleur cable) | \$ 50 | _____ |
| 4. Top-of-b/b cable guide (rear derailleur cable) | \$ 50 | _____ |
| 5. Plastic under-b/b cable guide (both cables) | \$ 30 | _____ |
| 6. Chainstay cable stop | \$ 30 | _____ |
| 7. Downtube shifter bosses (pair) | \$ 65 | _____ |
| 8. Fingertip shifter bosses (pair) | \$ 65 | _____ |
| 9. Top tube cable guides (set of three) | \$ 65 | _____ |
| 10. Top tube cable stops (pair) | \$ 65 | _____ |
| 11. Stainless steel internal brake cable guide | \$175 | _____ |
| 12. Front derailleur boss | \$ 65 | _____ |
| 13. Chain hanger peg | \$ 30 | _____ |
| 14. Rack dropout eyelets (pair) | \$ 75 | _____ |
| 15. Lowrider rack bosses (pair) | \$ 75 | _____ |
| 16. Seatstay rack bosses (pair) | \$ 75 | _____ |
| 17. Fender-mounting boss (each) | \$ 40 | _____ |
| 18. Cantilever brake bosses (pair) | \$ 90 | _____ |
| Rim size _____ Brake _____ | | |
| 19. Other: _____ | | _____ |
| _____ | | _____ |
| _____ | | _____ |

REMOVE BRAZE-ONS

20. Stops, guides etc: show location on diagram above \$10/ea. _____
- _____
- _____
- _____

DAMAGE REPAIR

- | | | |
|--|-------|-------|
| <input type="checkbox"/> Main tube replacement (each) | \$350 | _____ |
| Location _____ | | |
| <input type="checkbox"/> Rear dropout replacement (each) | \$300 | _____ |
| <input type="checkbox"/> Steering column replacement | \$300 | _____ |
| <input type="checkbox"/> Seatstay replacement (each) | \$300 | _____ |
| <input type="checkbox"/> Chainstay replacement (each) | \$300 | _____ |
| <input type="checkbox"/> Brake bridge replacement | \$250 | _____ |
| <input type="checkbox"/> Other: _____ | | _____ |
| <input type="checkbox"/> Frame alignment Hub spacing _____ | \$ 90 | _____ |
| <input type="checkbox"/> Fork alignment | \$ 50 | _____ |
| <input type="checkbox"/> Rear hub spacing only | \$ 60 | _____ |

RUST & DENTS

- | | | |
|--|-------|-------|
| <input type="checkbox"/> Roll & fill dents (show location) | quote | _____ |
| <input type="checkbox"/> Fill small dings (show location) | quote | _____ |
| <input type="checkbox"/> Repair rust pits | quote | _____ |
| <input type="checkbox"/> Fill head-badge holes | \$ 40 | _____ |
| <input type="checkbox"/> Internal rust treatment | \$ 40 | _____ |

ASSEMBLY PREP

- | | | |
|--|-------|-------|
| <input type="checkbox"/> Install headset | \$ 40 | _____ |
| <input type="checkbox"/> Install bottom bracket | \$ 40 | _____ |
| <input type="checkbox"/> Install headset races and fixed cup | \$ 25 | _____ |

PAGE 2 SUBTOTAL _____

PAGE 1 SUBTOTAL _____

SHIPPING + INSURANCE _____

TOTAL _____

LESS DEPOSIT _____

BALANCE DUE _____